

ALFA



QUICK 6 PIZZE

Data Sheets - Scheda Tecnica



GAS VERSION

COLOUR Colore	CODE Codice	
Silver Grey	LPG	FP-Q6P-BG-GRI
	N. GAS	FP-Q6P-BM-GRI
Black	LPG	FP-Q6P-BG-NER
	N. GAS	FP-Q6P-BM-NER
Antique Red	LPG	FP-Q6P-BG-ROA
	N. GAS	FP-Q6P-BM-ROA
Blue	LPG	FP-Q6P-BG-BLU
	N. GAS	FP-Q6P-BM-BLU
Sideral Green	LPG	FP-Q6P-BG-VES
	N. GAS	FP-Q6P-BM-VES
Copper	LPG	FP-Q6P-BG-RAM
	N. GAS	FP-Q6P-BM-RAM

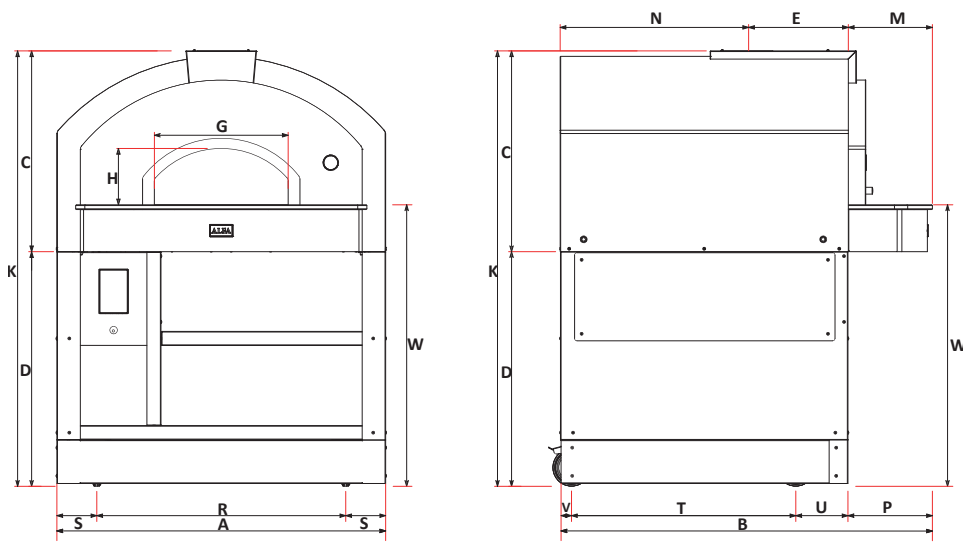
Weight Peso	549 kg 1210,3 lb
Cooking floor Piano Cottura	120x110 cm 47,2x43,3 in
Max oven temperature Temperatura massima	500°C 932°F
Heating time Minuti per scaldare	70'
Pizza capacity Numero Pizze	6 Ø33cm
Heat capacity Potenza nominale	34 kW - 116012,82 BTU
Smoke temperature Temperature fumi	410°C 770°F
Volumetric flow Flusso volumetrico	28,92g/s
Suction flow rate Portata aspirazione	60 m³/h

Materials Materiali	Stainless Steel, iron sheet, Ceramic fiber Acciaio inox, lamiera ferro, Fibroceramica	
Type of refractory Tipo di refrattario	Alumina silicate HeatKeeper™ Firebrick Tavella HeatKeeper™ silico-alluminoso	
Electrical data		
220-240V	50/60HZ	30W

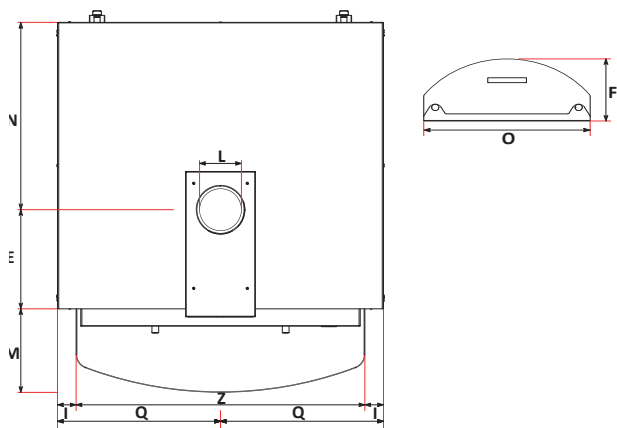
Recommended fuel Combustibile consigliato	LPG gas G30/G31 Gas GPL G30/G31	Natural Gas G20 Gas Metano G20
Gas category Categoria gas	I3+GPL	12H METANO
Operation Funzionamento	28..30/37mbar - 11W.C.	20mbar - 4 W.C.
Max consumption Consumo Massimo	3 Kg/h	2,98 mc/h



Made in Italy

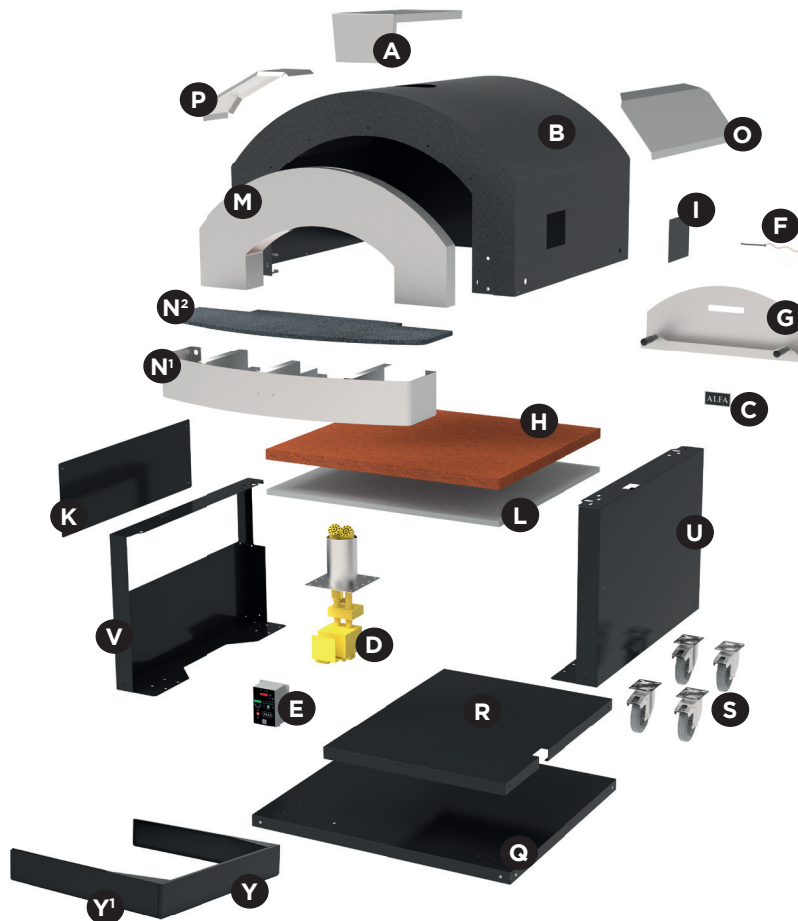


	cm	inch		cm	inch
A	140	55,1	N	80,24	31,6
B	158	62,2	O	65,9	25,9
C	86	33,9	P	35,4	13,9
D	100	39,4	Q	70	27,6
E	42,48	16,7	R	106	41,7
F	27,4	10,8	S	17	6,7
G	58	22,8	T	95,5	37,6
H	24	9,4	U	22,2	8,7
I	8	3,1	V	4,45	1,8
K	185,4	73	W	120	47,2
L	18	7,1	Z	124	48,8
M	35,79	14,1			



PACKAGING Q6P				
Dimensione imballo Q6P				
	Width Larghezza	Depth Profondità	Height Altezza	Weight Peso
cm	162	172	205	kg 644,5
inch	63,7	67,7	80,7	lbs 1420,9

Description Descrizione	Code Codice
Flange Flangia	A R-FLG-2-006
External shell Carter esterno	B* R-CRT-1-038
Logo Alfa (v1.0)	C D14PLAC-ALFA
KIT GAS	D R-GAS03001000
Control unit Centralina comando	E C32SOND-D2
Temperature probe Sonda temperature	F R-DRAGOCON
Door Sportello	G R-SPT-1-003
Red bricks 40x40 cm Mattoni 40x40 cm	H R-RAA4040
Probe shell Carter sonda	I** CRT-2-121
Side gas cover Carter laterale Gas	K R-CRT-2-121
Skamotek	L Skamotek
Arch Archetto	M R-ARC-1-021
Stainless steel sill Davanzale acciaio Inox	N' R-DVZ-1-018
Lava stone sill Davanzale in pietra lavica	N² DVZ02000700
Shield	O R-CMB-2-125
Shield Gas Quick 6	P R-CMB-2-109
Lower base shelf Ripiano Base inferiore	Q R-BAS-1-021
Upper base shelf Ripiano Base superiore	R R-BAS-1-024
Basic castors with brakes Ruote Base con freno	S R-RTE03000100
Lateral base right Gas Laterale Base Dx Gas	U R-BAS-1-023
Lateral base left Gas Laterale Base Sx Gas	V R-BAS-1-022
Front wheel covers Copri-ruote frontale	Y R-BAS02006300
Side wheel covers Copri-ruote laterale	Y' R-BAS02006200



	Silver Grey	Black	Antique Red	Blue	Sideral Green	Copper
B*	R-CRT-1-038-GRI	R-CRT-1-038-NER	R-CRT-1-038-ROA	R-CRT-1-038-BLU	R-CRT-1-038-VES	R-CRT-1-038-RAM
I**	CRT-2-121-GRI	CRT-2-121-NER	CRT-2-121-ROA	CRT-2-121-BLU	CRT-2-121-VES	CRT-2-121-RAM